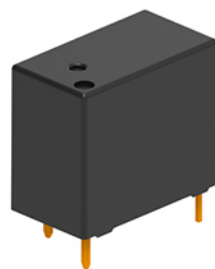


# MPD

## 汽车及新能源类

Automotive and New Energy

- 10A 触点切换能力
- 标准印制板引出脚
- 塑封型
- 外形尺寸 L × W × H: 18.4 × 10.2 × 15.5mm
- 10A Switching capability
- Standard PCB layout
- Sealed type
- Outline dimensions L × W × H: 18.4 × 10.2 × 15.5mm



MPD

S

1

12

A

|               |  |   |   |  |
|---------------|--|---|---|--|
| 产品型号<br>Model | 产品结构<br>Structure<br>S: 塑封型<br>S: Sealed | 触点组数<br>Contact Group<br>1: 1 组<br>1: 1 Group | 线圈电压<br>Coil Voltage<br>05, 06, 09, 12<br>18, 24, 48VDC | 触点形式<br>Contact Form<br>A: 常开<br>A: NO |
|---------------|--|---|---|--|

### 触点参数 Contact Parameters

|  |                           |                         |
|--|---------------------------|-------------------------|
| 触点形式 Contact Arrangement                   | 1A                        |                         |
| 触点材料 Contact Material                      | 银合金 Silver Alloy          |                         |
| 接触电阻 (初始) Contact Resistance (Initial)     | ≤100mΩ (1A 6VDC)          |                         |
| 触点负载 (阻性)<br>Contact Rating<br>(Res. load) | 标准型<br>Standard Type      | 10A 250VAC<br>5A 250VAC |
|  | 灵敏型<br>Sensitive Type     | 5A 250VAC<br>10A 250VAC |
| 最大切换电流 Max. Switching Current              | 10A                       |                         |
| 最大切换电压 Max. Switching Voltage              | 250VAC/30VDC              |                         |
| 最大切换功率 Max. Switching Power                | 2500VA/300W               |                         |
| 电气寿命<br>Electrical Life                    | 1 × 10 <sup>5</sup> 次 OPS |                         |
| 机械寿命 Mechanical Life                       | 1 × 10 <sup>6</sup> 次 OPS |                         |

### 性能参数 Characteristics

|                            |   |                            |
|----------------------------|---|----------------------------|
| 绝缘电阻 Insulation Resistance | 1000MΩ (500VDC)   |                            |
| 介质耐压 Dielectric Strength   | 触点与线圈间 Between Coil & Contacts: 4000VAC 1min<br>断开触点间 Between Open Contacts: 1000VAC 1min |                            |
| 动作时间 Operate Time          | ≤10ms   |                            |
| 释放时间 Release Time          | ≤5ms  |                            |
| 环境温度 Ambient Temperature   | -40℃ ~+105℃   |                            |
| 振动 Vibration               | 10Hz~55Hz 1.5mm 双振幅 (DA)  |                            |
| 冲击 Shock                   | 稳定性 Functional  | 98m/s <sup>2</sup> (10G)   |
|                            | 强度 Destructive  | 980m/s <sup>2</sup> (100G) |
| 引出端方式 Terminal Form        | 印制板式 PCB  |                            |
| 封装形式 Construction          | 塑封型 Sealed  |                            |
| 重量 Unit Weight             | 约 Approx.6g   |                            |

线圈规格表 Coil Data(23℃)

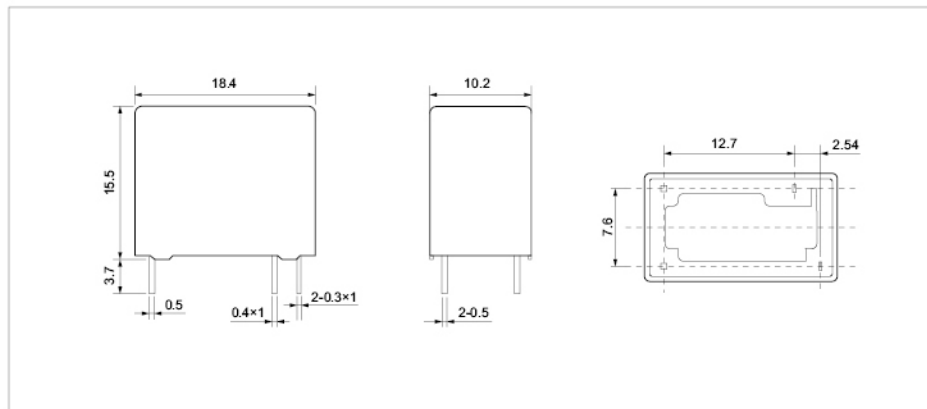
| 额定电压<br>Rated Voltage<br>VDC | 动作电压<br>Operate Voltage<br>VDC | 释放电压<br>Release Voltage<br>VDC | 最大允许电压<br>Max. Allowable voltage<br>VDC | 线圈电阻<br>Coil Resistance<br>$\Omega \pm 10\%$ | 线圈功耗<br>Coil Power<br>W                      |
|------------------------------|--------------------------------|--------------------------------|---|--|--|
| 5                            | $\leq 3.75$                    | $\geq 0.25$                    | 7.5                                     | 55.6   | 约 Approx.<br>0.45<br>标准型<br>Standard<br>Type |
| 6                            | $\leq 4.5$                     | $\geq 0.3$                     | 9                                       | 80   |  |
| 9                            | $\leq 6.75$                    | $\geq 0.45$                    | 13.5                                    | 180  |  |
| 12                           | $\leq 9$                       | $\geq 0.6$                     | 18                                      | 320  |  |
| 18                           | $\leq 13.5$                    | $\geq 0.9$                     | 27                                      | 720  |  |
| 24                           | $\leq 18$                      | $\geq 1.2$                     | 36                                      | 1280   |  |
| 48                           | $\leq 36$                      | $\geq 2.4$                     | 72                                      | 5120   |  |
| 5                            | $\leq 3.75$                    | $\geq 0.25$                    | 7.5                                     | 125  | 约 Approx.<br>0.2<br>灵敏型<br>Sensitive<br>Type |
| 6                            | $\leq 4.5$                     | $\geq 0.3$                     | 9                                       | 180  |  |
| 9                            | $\leq 6.75$                    | $\geq 0.45$                    | 13.5                                    | 405  |  |
| 12                           | $\leq 9$                       | $\geq 0.6$                     | 18                                      | 720  |  |
| 18                           | $\leq 13.5$                    | $\geq 0.9$                     | 27                                      | 1620   |  |
| 24                           | $\leq 18$                      | $\geq 1.2$                     | 36                                      | 2880   |  |
| 48                           | $\leq 36$                      | $\geq 2.4$                     | 72                                      | 11520  |  |

## 安全认证 Approvals

| 安全认证 Approvals          | UL  | TUV                                 | CQC                                 |
|-------------------------|---|-------------------------------------|-------------------------------------|
| 证书编号 Certificate Number | E358149   | R50184948                           | CQC10002049964                      |
| 负载 Rating               | 10A 250VAC/30VDC<br>5A 250V/30VDC<br>10A 125VAC/30VDC | 10A 250VAC/30VDC<br>5A 250VAC/30VDC | 10A 250VAC/30VDC<br>5A 250VAC/30VAC |

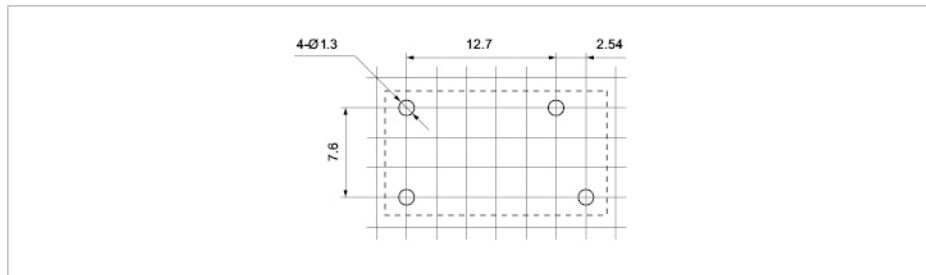
## 外形尺寸 Outline Dimensions

单位 Unit: mm

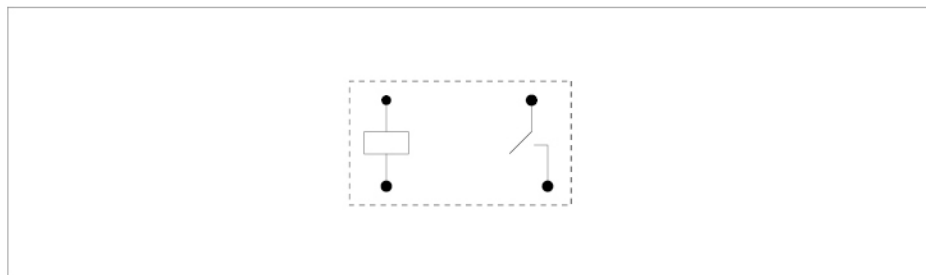


## 安装孔尺寸 (底视图) PCB Layout (Bottom View)

单位 Unit: mm



## 接线图 (底视图) Wiring Diagram (Bottom View)



- 备注: (1) 产品部分外形尺寸未注尺寸公差, 当外形尺寸  $\leq 1\text{mm}$ , 公差为  $\pm 0.2\text{mm}$ ;  
当外形尺寸在  $1\sim 5\text{mm}$  之间时, 公差为  $\pm 0.3\text{mm}$ ; 当外形尺寸  $> 5\text{mm}$  时, 公差为  $\pm 0.4\text{mm}$ ;  
(2) 安装孔尺寸中未注尺寸公差的均为  $\pm 0.1\text{mm}$ 。

### REMARK:

- (1) In case of no tolerance shown in outline dimension: outline dimension  $\leq 1\text{mm}$ , tolerance should be  $\pm 0.2\text{mm}$ ; outline dimension  $> 1\text{mm}$  and  $\leq 5\text{mm}$ , tolerance should be  $\pm 0.3\text{mm}$ ; outline dimension  $> 5\text{mm}$ , tolerance should be  $\pm 0.4\text{mm}$ ;  
(2) The tolerance without indicating for PCB layout is always  $\pm 0.1\text{mm}$ .

## 性能曲线图 Performance Curve

